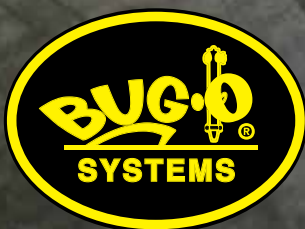


# K-BUG 2000

## DIGITAL, COMPACT, DUAL TORCH FILLET WELDER

A magnetic travel carriage for welding continuous or stitch welds in the horizontal position.

Increase welding production, improve weld quality and eliminate operator fatigue.



**Bug-O Systems**

Operator Controlled  
Mechanization

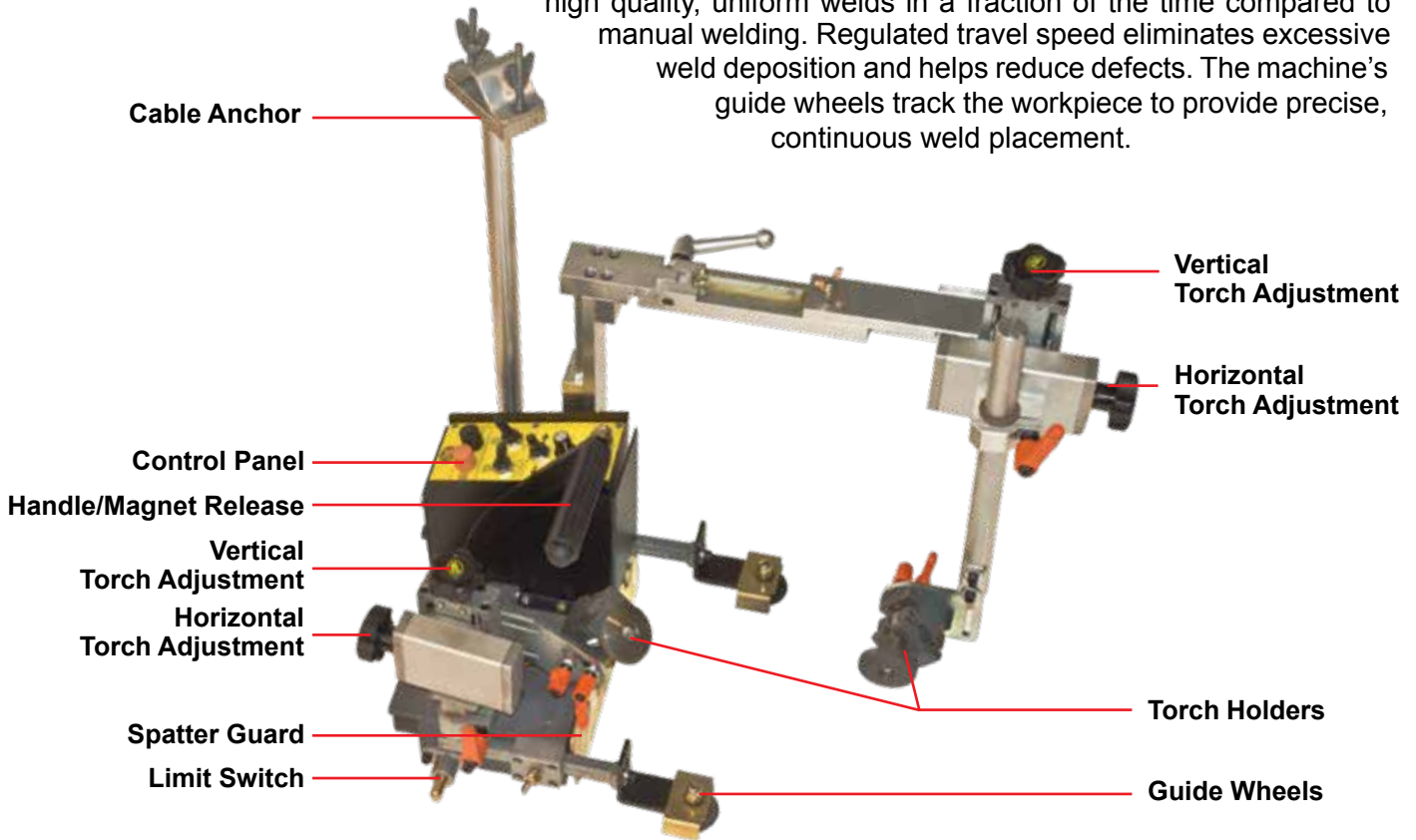
412-331-1776 [www.bug-o.com](http://www.bug-o.com)

Bug-O Systems is committed to empowering our customers by providing operator controlled mechanized solutions for their welding, cutting and custom applications.

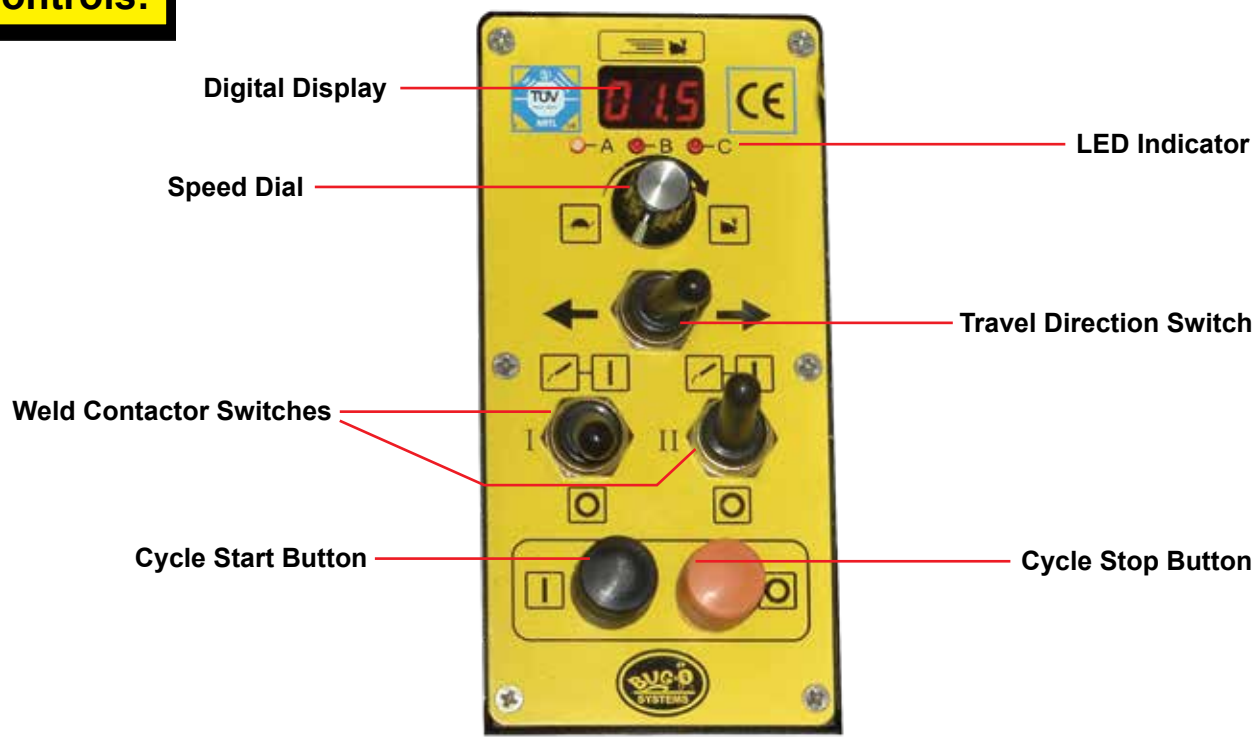


# K-BUG 2000 DIGITAL, COMPACT, DUAL TORCH FILLET WELDER

The **K-BUG 2000** digital, compact dual torch fillet welder is a portable straight line travel carriage. Creating two continuous or intermittent "stitch" welds at a constant travel speed the **K-BUG 2000** simultaneously produces high quality, uniform welds in a fraction of the time compared to manual welding. Regulated travel speed eliminates excessive weld deposition and helps reduce defects. The machine's guide wheels track the workpiece to provide precise, continuous weld placement.



## Controls:





# K-BUG 2000 DIGITAL, COMPACT, DUAL TORCH FILLET WELDER

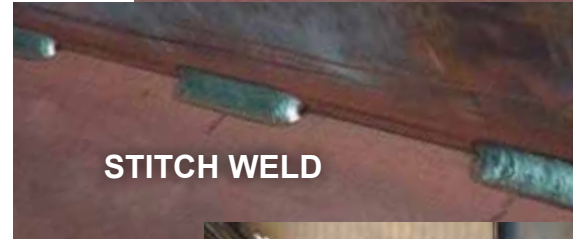
## Features:

The **K-Bug 2000** incorporates the following features:

- State of the art digital technology insures accuracy
- High torque, low inertia motor for precise stops and starts
- Drive motor overload protection
- Lightweight carriage with powerful permanent magnets to grip work piece
- Guide wheels track web or flange of work piece
- Closed loop speed control provides adjustable and repeatable control
- Stores travel settings after power is turned off
- Crater fill at the beginning and end of welding
- Two (2) Weld Contactor Enable switches to independently activate each welding torch
- Carriage Travel and arc start in one switch
- Built-in Limit Switches stop tractor travel and welding when activated
- Will climb up a 75° incline
- Digital programming of weld length, skip length and total travel distance



**CONTINUOUS WELD**



**STITCH WELD**



Overhead view of K-Bug 2000 in position for down-hand welding.

## Accessories:

**MSQ-150 ON/OFF Magnetic Stop**  
For limit switch activation



**KBUG-2067 Magwheel guide add-on kit**  
For welding curved or irregular shapes



**SBG-450-L-(A)-(B) 450 Amp Gun/Lincoln 3/4" (19 mm)**  
For LN7, LN8, LN9, LN25, LN742,  
Synergic 7 & LN10 w/ adapter

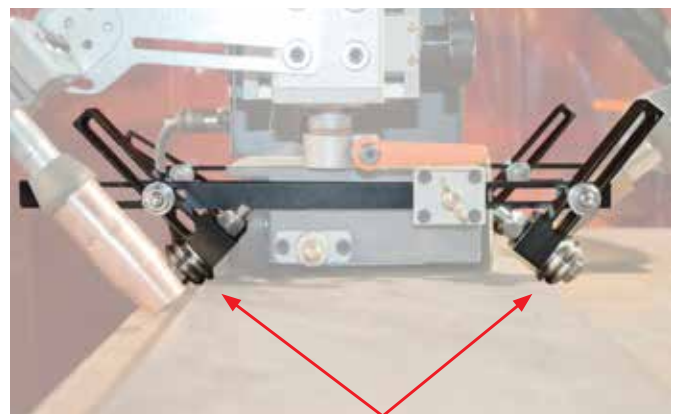
**SBG-450-T-(A)-(B) 450 Amp Gun/Lincoln Std.**  
For all other Lincoln products

**SBG-450-M-(A)-(B) 450 Amp Gun/Miller**

**SBG-450-E-(A)-(B) 450 Amp Gun/Euro**

(A)- Contact Tip Size 0.035" to 1/16" (0.89 to 1.59 mm)

(B)- Cable Length 15 ft (4.57 m) / 25 ft (7.62 m)



**KBUG-2070-\_\_ Four wheel beam guide arm kit**

**KBUG-2070-6** For 6 - 8" (152 - 203 mm)  
flat bar stiffeners

**KBUG-2070-12** For 8 - 12" (203 - 304 mm)  
flat bar stiffeners



# K-BUG 2000 DIGITAL, COMPACT, DUAL TORCH FILLET WELDER

## Technical Data:

Part Numbers:	KBUG-2000 (120VAC) KBUG-2002 (240VAC) KBUG-2004 (42VAC)
Power:	120VAC/50-60Hz/1Ph 240VAC/50-60Hz/1Ph 42VAC/50-60Hz/1Ph
Net Weight:	23.2 lbs (10.5 kg)
Shipping Weight:	28.6 lbs (13 kg)
Shipping Dimensions:	20" x 19" x 15" (508 x 483 x 381 mm)
Welding Position:	Flat "down hand" position
Pulling Power:	11 lbs (5 kg)
Torch Holder:	Fits straight torch
Travel Speed:	0.3 - 37 in/min (0.1 - 95 cm/min)
Max Stiffener Height:	11.81" (300 mm)



## Dimensions:

