

## MaxiFil Clean - Art. No.: 67 150 102

- » Contamination free dust disposal
- » Automatic filter cleaning



### Applications

- » Also suitable for high-alloy steel
- » High levels of smoke and dust
- » Non-stop operation

### Benefits

- » Safe operation by rotation field control
- » Exhaust arm requires less adjustment due to flow-optimised exhaust hood design
- » Increased safety due to filter monitoring
- » Increased safety by means of automatic dust removal in cartridges, contamination-free
- » Very economic due to long lasting high capacity filters

### Properties

- » Automatic filter cleaning
- » Exhaust arm up to 4 m
- » Automatic Start/Stop (optional)
- » Lighting in the hood (optional)
- » Cleanable filter
- » Automatic dust removal - contamination-free
- » Rotating exhaust hood
- » Spark separator

### Accessories

- » Automatic start/stop
- » Workplace lighting incl. on/off switch at the hood

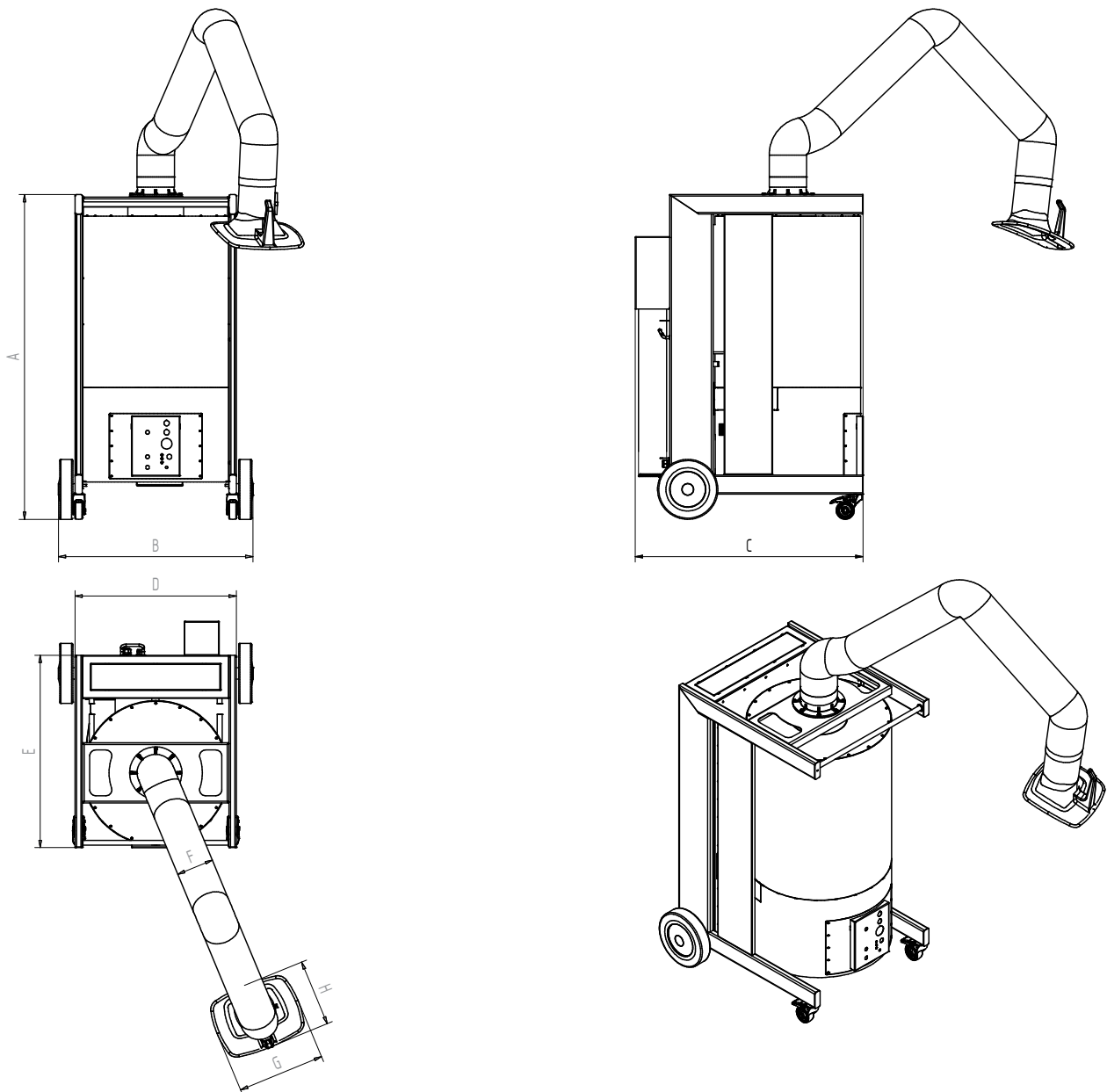
### Technical Data

<b>Art. No.</b>	<b>67 150 102</b>
<b>Filter</b>	
Filter stages	2
Filter method	Cleanable filter
Filter cleaning method	Rotating nozzle
Filter surface	15 m <sup>2</sup>
Type of filter	Filter cartridge
Filter material	ePTFE membrane
Filter efficiency	> 99.9 %
Dust classification	M
Additional filters	Cyclone pre-filter
<b>Basic data</b>	
Extraction capacity	1100 m <sup>3</sup> /h
Dimensions (w x d x h)	810 x 940 x 1350 mm
Weight	206 kg
Motor power	1.5 kW
Power supply	3 x 400 V / 50 Hz
Rated current	3.2 A
Control voltage	24 V, DC
Noise level	72 dB(A)
<b>Additional information</b>	
IFA-Certification	W3-Approved
Fan type	Radial fan
Compressed air supply	5 - 6 bar
Quantity of extraction arms	1
Exhaust arm type	flexible exhaust arm
Diameter extraction arm	150 mm
Length of exhaust arm	4 m



Suitable for alveole exchangeable dusts  
separation > 99 % of particles < 0,4 µm





## Technical Data

### Dimensions

A	1350 mm
B	810 mm
C	940 mm
D	665 mm
E	798 mm
F	150 mm
G	360 mm
H	295 mm