

## MaxiFil - Art. No.: 65 650 105

- » High filter capacity
- » Safe filter change



### Applications

- » Also suitable for high-alloy steel
- » Medium levels of smoke and dust
- » Regular use

### Benefits

- » Safe operation by rotation field control
- » Exhaust arm requires less adjustment due to flow-optimised exhaust hood design
- » Increased safety due to filter monitoring
- » Increased safety with safe filter change
- » Very economic due to long lasting high capacity filters

### Properties

- » Exhaust arm up to 4 m
- » Automatic Start/Stop (optional)
- » Lighting in the hood (optional)
- » Rotating exhaust hood

### Accessories

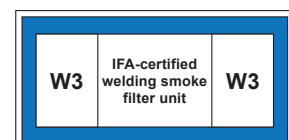
- » Automatic start/stop
- » Workplace lighting incl. on/off switch at the hood

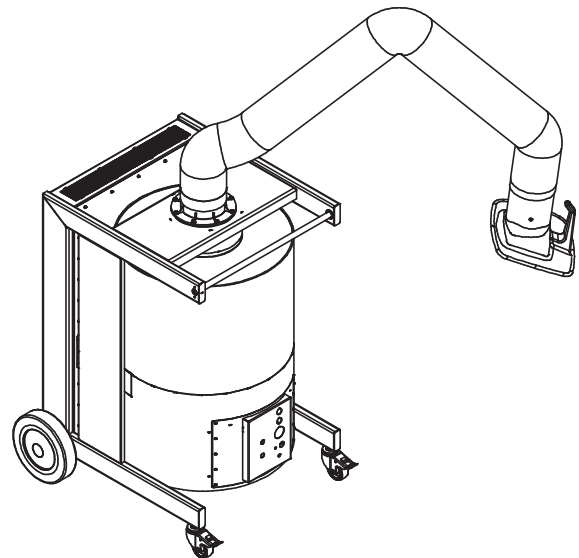
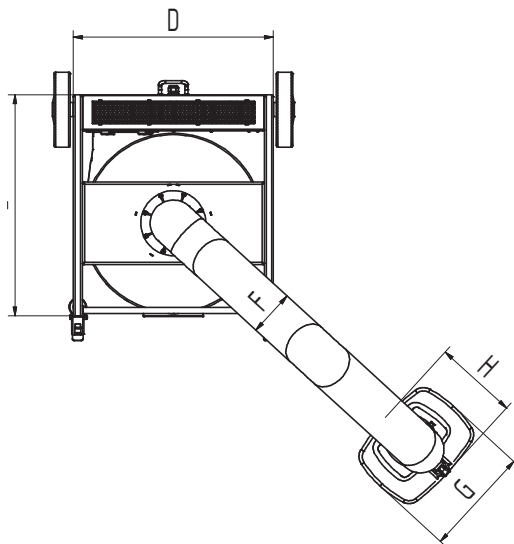
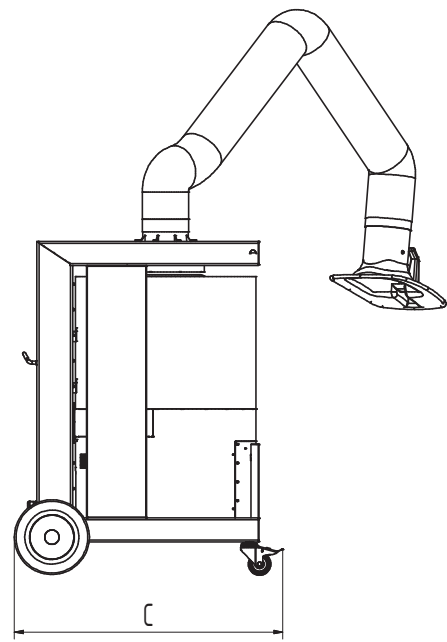
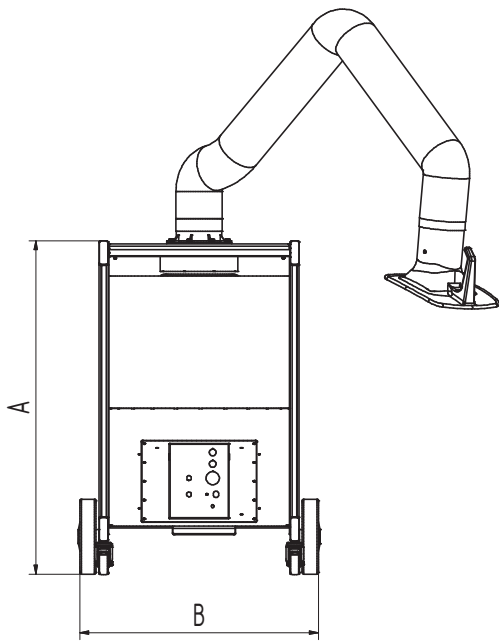
## Technical Data

<b>Art. No.</b>	<b>65 650 105</b>
<b>Filter</b>	
Filter stages	2
Filter method	Disposable filter
Filter surface	42 m <sup>2</sup>
Type of filter	Safe Change Filter
Filter material	Non-woven polyester
Filter efficiency	> 99.5 %
Filter class	E12
Additional filters	Pre-filter (aluminium)
<b>Basic data</b>	
Extraction capacity	1100 m <sup>3</sup> /h
Dimensions (w x d x h)	803 x 892 x 1109 mm
Weight	129 kg
Motor power	1.5 kW
Power supply	3 x 400 V / 50 Hz
Rated current	3.1 A
Control voltage	24 V, DC
Noise level	70 dB(A)
<b>Additional information</b>	
IFA-Certification	W3-Approved
Fan type	Radial fan
Quantity of extraction arms	1
Exhaust arm type	rigid metal tube arm
Diameter extraction arm	150 mm
Length of exhaust arm	4 m



Suitable for alveole exchangeable dusts  
separation > 99 % of particles < 0,4 µm





## Technical Data

Dimensions	
A	1109 mm
B	803 mm
C	892 mm
D	665 mm
E	738 mm
F	150 mm
G	360 mm
H	295 mm