

## SmartFil - Art. No.: 64 65 0105

- » Professional extraction unit
- » Safe filter change



### Applications

- » Medium levels of smoke and dust
- » Regular use
- » Alternating work places

### Benefits

- » Exhaust arm requires less adjustment due to flow-optimised exhaust hood design
- » Increased safety due to filter monitoring
- » Increased safety with safe filter change
- » Very economic due to long lasting high capacity filters

### Properties

- » 360 degrees rotating exhaust hood with damper
- » 25m<sup>2</sup> filter surface
- » Compact and solid design
- » Automatic Start/Stop (optional)
- » Lighting in the hood (optional)
- » Exhaust arm 4 m

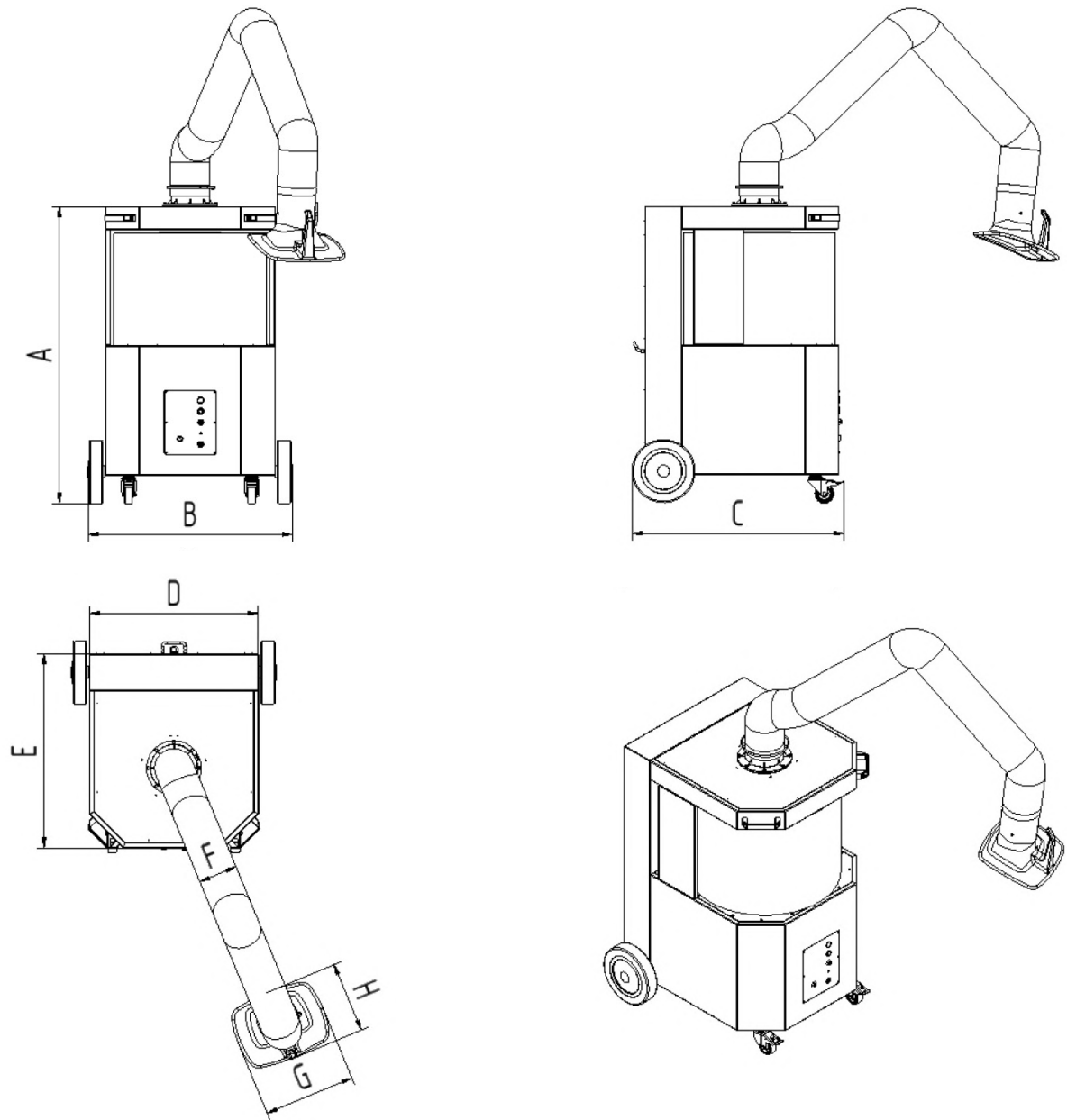
### Accessories

- » Automatic start/stop
- » Workplace lighting incl. on/off switch at the hood

## Technical Data

|                               |                        |
|-------------------------------|------------------------|
| <b>Art. No.</b>               | <b>64 65 0105</b>      |
| <b>Filter</b>                 |                        |
| Filter stages                 | 2                      |
| Filter method                 | Disposable filter      |
| Filter surface                | 25 m <sup>2</sup>      |
| Type of filter                | Safe Change Filter     |
| Filter material               | Non-woven polyester    |
| Filter efficiency             | > 99.5 %               |
| Filter class                  | E12                    |
| Additional filters            | Pre-filter (aluminium) |
| <b>Basic data</b>             |                        |
| Extraction capacity           | 1100 m <sup>3</sup> /h |
| Weight                        | 131 kg                 |
| Motor power                   | 1.5 kW                 |
| Power supply                  | 3 x 400 V / 50 Hz      |
| Rated current                 | 3.1 A                  |
| Control voltage               | 24 V, DC               |
| Noise level                   | 70 dB(A)               |
| <b>Additional information</b> |                        |
| Fan type                      | Radial fan             |
| Exhaust arm type              | rigid metal tube arm   |
| Length of exhaust arm         | 4 m                    |





**Technical Data**

| Dimensions |         |
|------------|---------|
| A          | 1169 mm |
| B          | 795 mm  |
| C          | 836 mm  |
| D          | 667 mm  |
| E          | 764 mm  |
| F          | 150 mm  |
| G          | 360 mm  |
| H          | 295 mm  |