

## ProfiMaster, two exhaust arms - Art. No.: 60 650 DA 104

- » Two exhaust arms
- » High capacity filter



### Applications

- » Low to medium levels of smoke and dust
- » Occasional to frequent use
- » For two work places

### Benefits

- » Safe operation by rotation field control
- » Maintenance door allows easy filter change
- » Exhaust arm requires less adjustment due to flow-optimised exhaust hood design
- » Increased safety due to filter monitoring
- » Space-saving solution due to two extraction arms
- » Possibility of working in two alternating places due to dampers in the extraction hood

### Properties

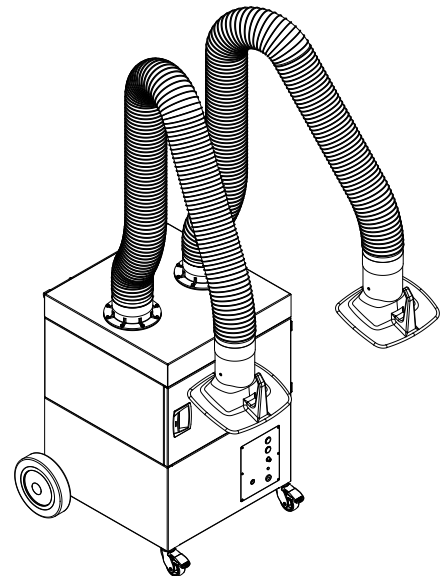
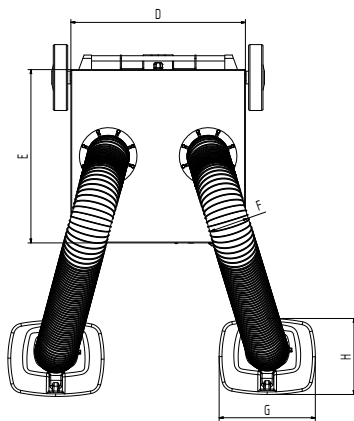
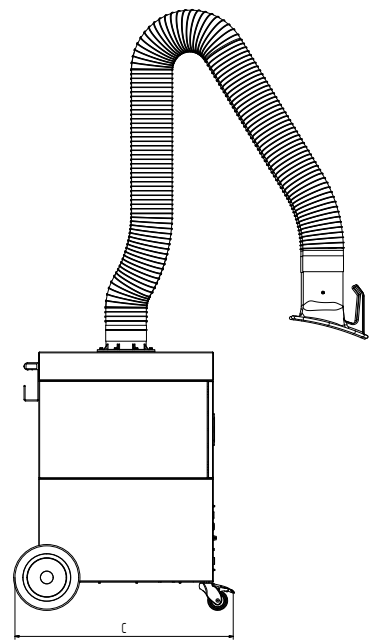
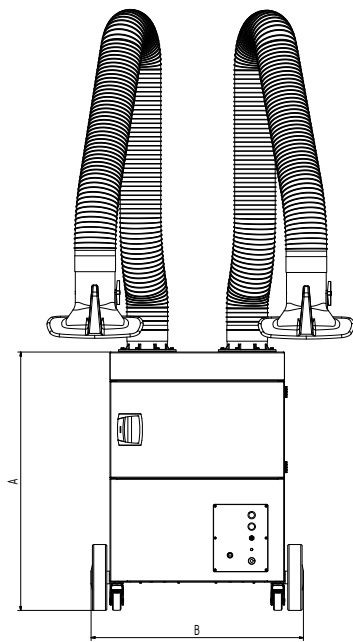
- » Exhaust arm up to 4 m
- » Automatic Start/Stop (optional)
- » Rotating exhaust hood

### Accessories

- » Automatic start/stop

## Technical Data

<b>Art. No.</b>	<b>60 650 DA 104</b>
<b>Filter</b>	
Filter stages	2
Filter method	Disposable filter
Filter surface	17 m <sup>2</sup>
Type of filter	Filter cassette
Filter material	Non-woven fibre
Filter efficiency	> 99.5 %
Filter class	E12
Additional filters	Pre-filter
<b>Basic data</b>	
Extraction capacity	2 x 700 m <sup>3</sup> /h
Dimensions (w x d x h)	797 x 828 x 977 mm
Weight	113.8 kg
Motor power	1.1 kW
Power supply	3 x 400 V / 50 Hz
Rated current	2.3 A
Control voltage	24 V, DC
Noise level	72 dB(A)
<b>Additional information</b>	
Fan type	Radial fan
Quantity of extraction arms	2
Exhaust arm type	rigid metal tube arm
Diameter extraction arm	150 mm
Length of exhaust arm	3 m



### Technical Data

Dimensions	
A	977 mm
B	797 mm
C	828 mm
D	655 mm
E	655 mm
F	150 mm
G	360 mm
H	295 mm