

ProfiMaster, one exhaust arm - Art. No.: 60 650 103

- » Robust quality
- » High capacity filter



Applications

- » Also suitable for high-alloy steel
- » Low to medium levels of smoke and dust
- » Occasional to frequent use

Benefits

- » Safe operation by rotation field control
- » Maintenance door allows easy filter change
- » Exhaust arm requires less adjustment due to flow-optimised exhaust hood design
- » Increased safety due to filter monitoring

Properties

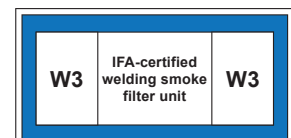
- » Exhaust arm up to 4 m
- » Automatic Start/Stop (optional)
- » Rotating exhaust hood

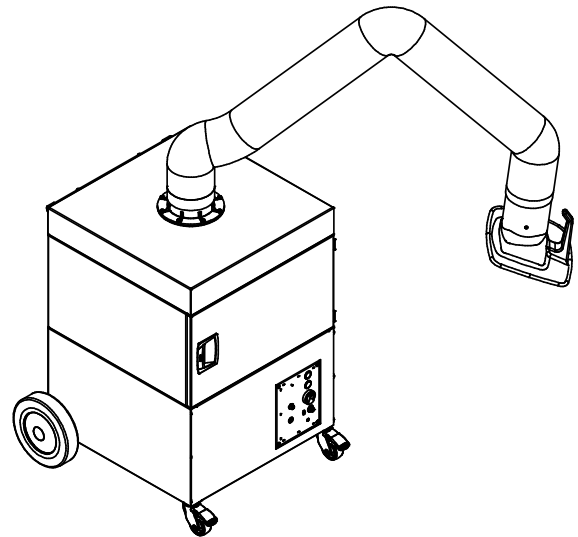
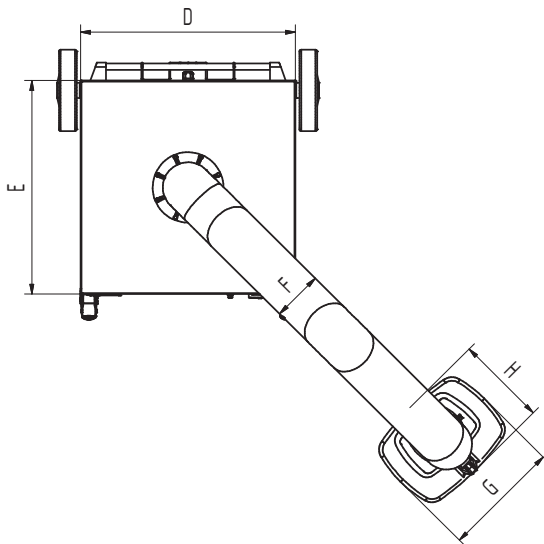
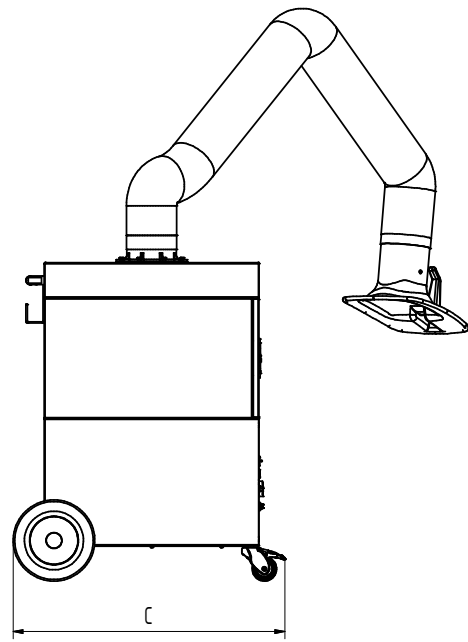
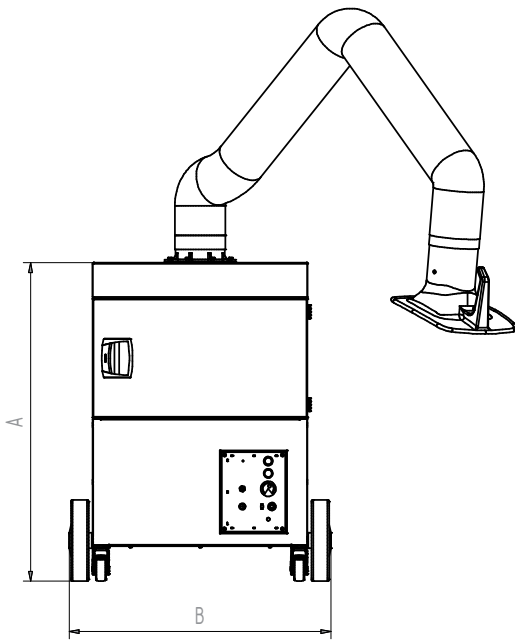
Accessories

- » Automatic start/stop

Technical Data

| | |
|-------------------------------|------------------------|
| Art. No. | 60 650 103 |
| Filter | |
| Filter stages | 2 |
| Filter method | Disposable filter |
| Filter surface | 17 m ² |
| Type of filter | Filter cassette |
| Filter material | Non-woven fibre |
| Filter efficiency | > 99.5 % |
| Filter class | E12 |
| Additional filters | Pre-filter |
| Basic data | |
| Extraction capacity | 1100 m ³ /h |
| Dimensions (w x d x h) | 797 x 828 x 977 mm |
| Weight | 104 kg |
| Motor power | 1.1 kW |
| Power supply | 3 x 400 V / 50 Hz |
| Rated current | 2.3 A |
| Control voltage | 24 V, DC |
| Noise level | 72 dB(A) |
| Additional information | |
| IFA-Certification | W3-Approved |
| Fan type | Radial fan |
| Quantity of extraction arms | 1 |
| Exhaust arm type | rigid metal tube arm |
| Diameter extraction arm | 150 mm |
| Length of exhaust arm | 2 m |





Technical Data

| Dimensions | |
|------------|--------|
| A | 977 mm |
| B | 797 mm |
| C | 828 mm |
| D | 655 mm |
| E | 655 mm |
| F | 150 mm |
| G | 360 mm |
| H | 295 mm |